

Copyright© 2011 by Big Bike Parts, Inc. No part of this instruction sheet may be reproduced without the written permission of Big Bike Parts.

PART NO. 22-141

FORK MOUNTED LIGHT CLAMP KIT  
FITS 38MM TO 41MM FORK TUBES  
FOR LIGHTS WITH AN M8-1.25 MOUNTING STUD

4/20/2011

TOOLS NEEDED:	4MM HEX WRENCH	13MM OPEN END WRENCH	
HARDWARE INCLUDED:	CLAMP WITH LIGHT MOUNT (2) CLAMP (2) M5-0.8 X 16MM SOCKET HEAD CAP SCREW (4)	M8-1.25 HEX JAM NUT (2) 1.0MM RUBBER SHIM (2) 0.5MM RUBBER SHIM (2)	

NOTE: THREAD LOCK COMPOUND SHOULD BE USED ON ALL HARDWARE.

PLEASE READ THROUGH AND UNDERSTAND THESE INSTRUCTIONS BEFORE BEGINNING.

THE FORK MOUNTED LIGHT CLAMP KIT IS DESIGNED TO WORK WITH DRIVING, TURN SIGNAL, OR MARKER LIGHTS THAT USE AN M8-1.25 MOUNTING STUD. THE CLAMP WILL FIT FORK TUBES WITH A DIAMETER OF 38MM THROUGH 41MM. EACH CLAMP ASSEMBLY COMES WITH TWO RUBBER SHIMS THAT CAN BE PLACED BETWEEN THE CLAMP AND THE FORK TUBE. THE FITMENT CHART BELOW SHOWS THE CONFIGURATIONS THAT CAN BE USED TO FIT EACH FORK SIZE. THE BIG BIKE PARTS LIGHT FITMENT CHART SHOWS THE LIGHTS AVAILABLE FROM BIG BIKE PARTS THAT WILL WORK WITH THE FORK MOUNTED LIGHT CLAMP KIT.

FORK SIZE FITMENT CHART	
CONFIGURATION	FORK SIZE
CLAMP ASSEMBLY ONLY, NO SHIMS	41MM
CLAMP ASSEMBLY WITH 0.5MM RUBBER SHIM	40MM
CLAMP ASSEMBLY WITH 1.0MM RUBBER SHIM	39MM
CLAMP ASSEMBLY WITH 0.5MM AND 1.0MM RUBBER	38MM

BIG BIKE PARTS LIGHT FITMENT CHART	
PART NUMBER	DESCRIPTION
16-104A	MINI HALOGEN DRIVING LIGHT
16-111A	AMBER STARBURST LED MARKER
16-111R	RED STARBURST LED MARKER
16-118A	LED TORPEDO TURN SIGNAL

### INSTALLING THE CLAMP (SEE DIAGRAM 1 AND 2)

1. FIND A LOCATION ON THE FORK TUBES BETWEEN THE UPPER AND LOWER TRIPLE CLAMPS WHERE THE LIGHTS CAN BE SAFELY MOUNTED. THE LOCATION SHOULD ALLOW THE LIGHT TO BE INSTALLED WITHOUT INTERFERING WITH ANY OTHER PARTS ON THE MOTORCYCLE.
2. PLACE THE TWO HALVES OF THE CLAMP ASSEMBLY AROUND THE FORK TUBE. THE SOCKET FOR THE LIGHT STUD SHOULD BE POSITIONED FACING OUTWARDS AND TOWARDS THE FRONT OF THE BIKE (SEE DIAGRAM 1).
3. LOOSELY INSTALL TWO M5-0.8 X 16MM SOCKET HEAD CAP SCREWS WITH THE 4MM HEX WRENCH.
4. IF MOUNTING TO A FORK SMALLER THAN 41MM, SLIDE THE APPROPRIATE RUBBER SHIM OR SHIMS BETWEEN THE CLAMP ASSEMBLY AND THE FORK TUBE. FOR 41MM FORKS, NO SHIMS ARE REQUIRED (SEE FITMENT CHART ABOVE).
5. CHECK THAT THE CLAMP ASSEMBLY IS PROPERLY LOCATED ON THE FORK TUBE AND TIGHTEN THE M5-0.8 X 16MM SOCKET HEAD CAP SCREWS.
6. REPEAT STEPS 1 THROUGH 5 FOR THE OTHER FORK TUBE CLAMP.

### INSTALLING LIGHTS TO THE CLAMP ASSEMBLY (SEE DIAGRAM 3)

1. INSTALL THE M8-1.25 HEX JAM NUT ONTO THE LIGHT MOUNTING STUD. TURN IT ALL THE WAY TO THE END OF THE STUD THREADS.
2. THREAD THE MOUNTING STUD ON THE LIGHT INTO THE MOUNTING SOCKET ON THE CLAMP ASSEMBLY. IF THE LIGHT STUD HAS WIRES PASSING THROUGH THE CENTER THESE SHOULD BE INSERTED INTO THE MOUNTING SOCKET FIRST AND THROUGH THE EXIT HOLE. TURN THE LIGHT STUD INTO THE SOCKET UNTIL IT IS NEARLY UP TO THE JAM NUT.
3. POSITION THE LIGHT SO THAT IT IS FACING IN THE DESIRED DIRECTION. TIGHTEN THE JAM NUT AGAINST THE END OF THE MOUNTING SOCKET ON THE CLAMP ASSEMBLY WITH THE 13MM OPEN END WRENCH.
4. REPEAT STEPS 1 THROUGH 3 WITH THE OTHER LIGHT.
5. WITH BOTH LIGHTS INSTALLED, CHECK FOR INTERFERENCE BY TURNING THE HANDLEBARS FULLY TO THE LEFT AND FULLY TO THE RIGHT. THE LIGHTS AND THE CLAMP ASSEMBLIES SHOULD NOT COME IN CONTACT WITH ANY OTHER PARTS OF THE MOTORCYCLE. IF THERE IS CONTACT, REPOSITION THE CLAMP ASSEMBLIES AND REPEAT THE INTERFERENCE CHECK.
6. WIRE THE LIGHTS ACCORDING TO THE MANUFACTURERS INSTRUCTIONS.
7. CHECK THE AIM OF THE LIGHTS AND ADJUST AS NECESSARY. THE VERTICAL ALIGNMENT OF THE LIGHTS CAN BE ADJUSTED BY LOOSENING THE JAM NUT AND ROTATING THE LIGHT UP OR DOWN AS NEEDED. RETIGHTEN THE JAM NUT WHEN FINISHED. THE HORIZONTAL ALIGNMENT OF THE LIGHTS CAN BE ADJUSTED BY LOOSENING THE CLAMP ASSEMBLY ON THE FORK TUBE AND ROTATING IT LEFT OR RIGHT. RETIGHTEN THE CLAMP ASSEMBLY TO THE FORK TUBE WHEN ALIGNMENT IS COMPLETED.

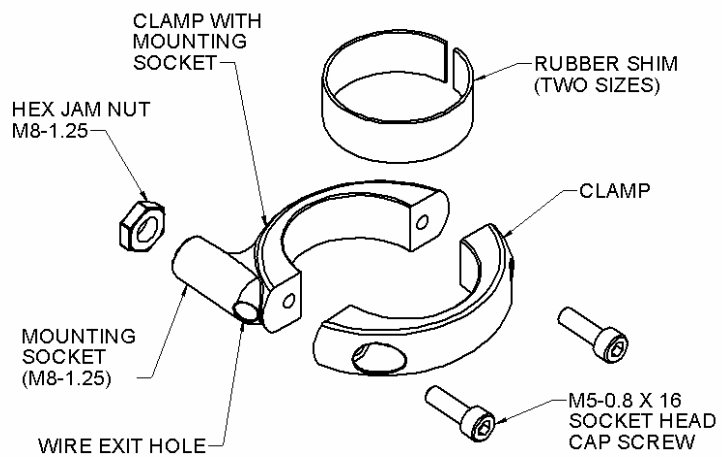


DIAGRAM 1

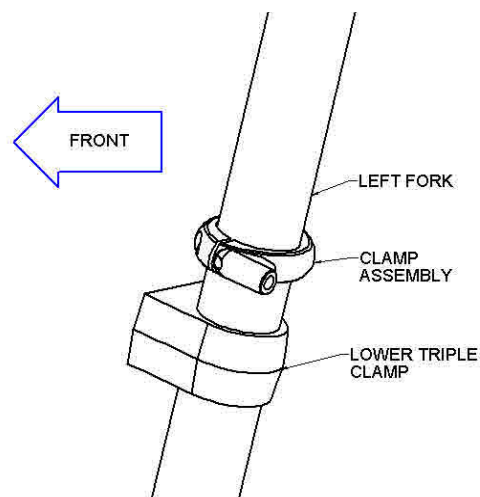


DIAGRAM 2

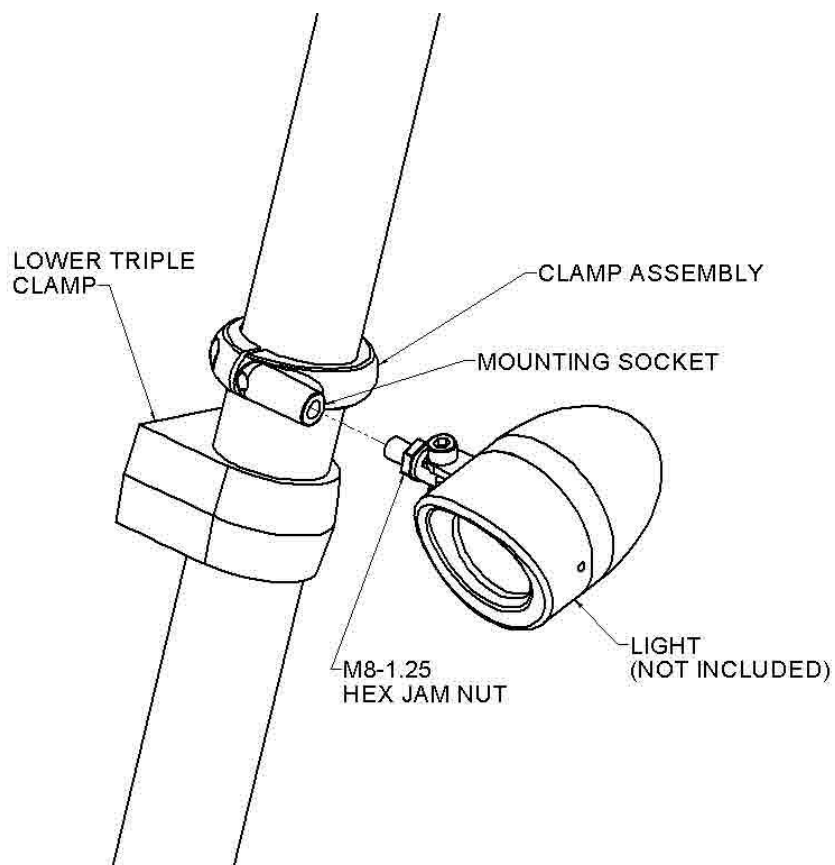


DIAGRAM 3