

Copyright © 2016 by Big Bike Parts, Inc. No part of this instruction sheet may be reproduced without the written permission of Big Bike Parts, Inc.

PART NO. 13-311

ELECTRONIC FUSE BLOCK

6/15/2016

FITMENT: UNIVERSAL

TOOLS NEEDED: PHILLIPS SCREWDRIVER

SMALL FLAT SCREWDRIVER

WIRE CUTTER/CRIMPER

PLIERS

HEAT GUN

PLEASE READ THROUGH AND UNDERSTAND THESE INSTRUCTIONS BEFORE BEGINNING.

ESTIMATED INSTALLATION TIME: 30 TO 45 MIN.

DO NOT EXCEED 20 AMPS TOTAL WHEN ADDING ACCESSORIES.

INSTALLING CONTROLLER:

1. DISCONNECT BOTH THE POSITIVE AND THE NEGATIVE CABLES FROM THE BIKES BATTERY.
2. LOCATE A PLACE ON THE BIKE TO MOUNT THE BLACK CONTROL BOX. UNDER THE SEAT OR UNDER A SIDE COVER OR INSIDE THE FAIRING WORKS BEST.
3. USING THE SUPPLIED WIRE TIES STRAP THE CONTROL BOX THROUGH THE TABS TO THE BIKE AS SECURELY AS POSSIBLE.
4. THE FOUR WIRES COMING OUT OF THE LEFT SIDE OF THE CONTROL BOX NEED TO BE CONNECTED TO A POSITIVE WIRE INLINE TO THE LIGHTS ON THE BIKE.
5. USING FOUR OF THE BLUE WIRE SPLICES IN THE KIT SPLICE EACH OF THE FOUR WIRES FROM THE LEFT SIDE OF THE CONTROL BOX TO A BRAKE, RUN, RIGHT, AND LEFT TURN WIRE ON THE BIKE. SEE FIG. 1.
6. USING THE FIFTH BLUE WIRE SPLICE ATTACH THE YELLOW WIRE COMING FROM THE RIGHT SIDE OF THE CONTROL BOX TO A KEYED POWER WIRE ON THE BIKE. SEE FIG. 1.
7. ROUTE THE TWO REMAINING GREEN AND RED WIRES TO THE BATTERY ON THE BIKE. SEE FIG. 1.
8. CUT AND STRIP EACH WIRE AS NEEDED AND CRIMP THE SUPPLIED RING CONNECTORS ON THE ENDS OF THE GREEN AND RED WIRES.
9. USING A HEAT GUN SHRINK THE INSULATION ON EACH RING CONNECTOR.
10. RECONNECT THE POSITIVE CABLE FIRST INCLUDING THE NEW RED WIRE TO THE BATTERY.
11. NEXT RECONNECT THE NEGATIVE CABLE TO THE BATTERY INCLUDING THE NEW GREEN WIRE.

INSTALLING ACCESSORIES:

12. USING A PHILLIPS SCREW DRIVER REMOVE THE FOUR SCREWS FROM THE COVER OF THE CONTROL BOX.
13. USING FIG. 2 AS A GUIDE LEARN WHAT EACH TERMINAL CONNECTOR IS TO BE USED FOR WHEN ATTACHING ACCESSORIES. NOTE: THE CONTROL BOX COVER ALSO HAS A DIAGRAM FOR THE TERMINAL BLOCKS.
14. CONNECT THE POSITIVE WIRES FROM YOUR ACCESSORIES TO THE TERMINALS MARKED (+) IN THE LOCATION YOU WANT.
15. CONNECT THE NEGATIVE WIRE TO ANY OF THE TERMINALS MARKED (-) AS THESE ARE ALL COMMON.
16. REPLACE COVER AND FOUR SCREWS.



FIG. 1

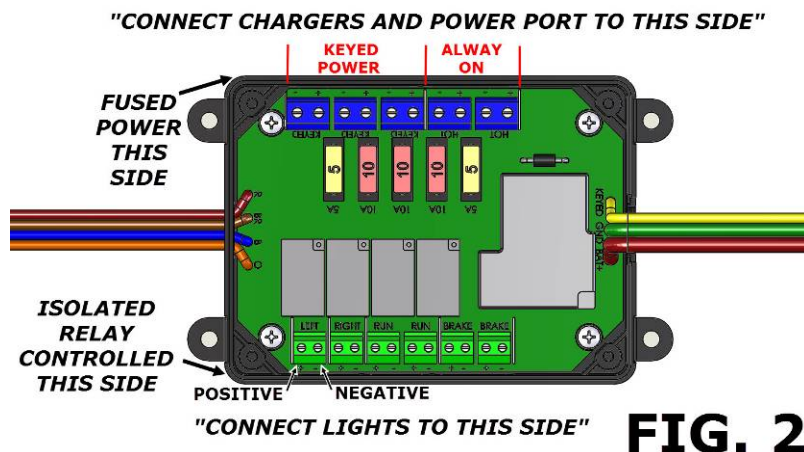


FIG. 2