

6/29/2016

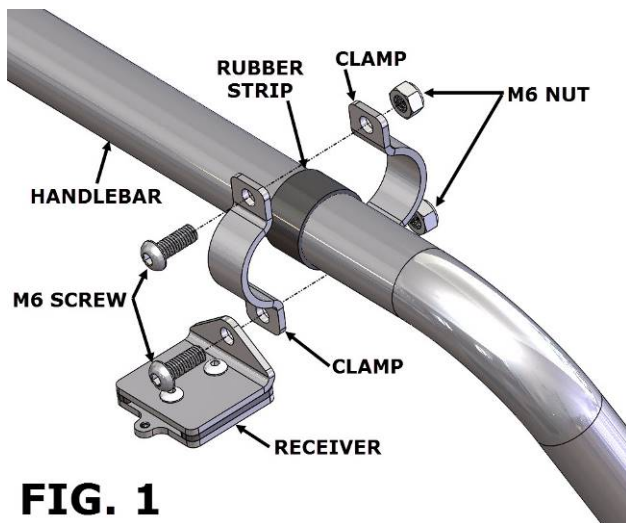
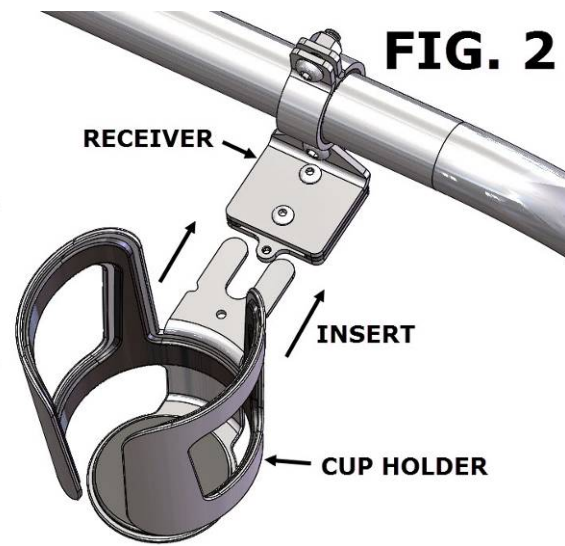
TOOLS NEEDED: 2MM ALLEN WRENCH

4MM ALLEN WRENCH

10MM WRENCH

PLEASE READ THROUGH AND UNDERSTAND THESE INSTRUCTIONS BEFORE BEGINNING.**ESTIMATED INSTALLATION TIME: 5 TO 10 MIN.****INSTALLATION:**

1. REMOVE THE TWO RUBBER STRIPS FROM THE HARDWARE PACKAGE.
2. THE THICKER STRIP IS USED WHEN INSTALLING ON 7/8" DIAMETER HANDLEBARS AND THE THIN STRIP IS USED FOR 1" DIAMETER HANDLEBARS.
3. WRAP THE CORRECT RUBBER STRIP AROUND THE HANDLEBAR AS SHOWN IN FIG. 1 BELOW.
4. ASSEMBLE THE CLAMPS AND RECEIVER AS SHOWN IN FIG. 1 USING THE TWO M6 SCREWS AND M6 NUTS.
5. ADJUST THE POSITION AS NEEDED AND USING A 4MM ALLEN WRENCH AND A 10MM WRENCH TIGHTEN THE SCREWS.
6. INSERT THE BEVERAGE HOLDER INTO THE RECEIVER. SEE FIG. 2.
7. INSTALL THE M3 SCREW AS SHOWN IN FIG. 3.
8. ROTATE THE HANDLEBAR TO MAKE SURE THAT THE BEVERAGE HOLDER DOES NOT HIT THE GAS TANK OR CONSOLE.

**FIG. 1****FIG. 2****FIG. 3**