

Copyright © 2016 by Big Bike Parts, Inc. No part of this instruction sheet may be reproduced without the written permission of Big Bike Parts, Inc.

PART NO. 13-311

ELECTRONIC FUSE BLOCK

11/13/2018

FITMENT: UNIVERSAL

TOOLS NEEDED: PHILLIPS SCREWDRIVER

SMALL FLAT SCREWDRIVER

WIRE CUTTER/CRIMPER

PLIERS

HEAT GUN

PLEASE READ THROUGH AND UNDERSTAND THESE INSTRUCTIONS BEFORE BEGINNING.

ESTIMATED INSTALLATION TIME: 30 TO 45 MIN.

DO NOT EXCEED 20 AMPS TOTAL WHEN ADDING ACCESSORIES.

INSTALLING CONTROLLER:

1. DISCONNECT BOTH THE POSITIVE AND THE NEGATIVE CABLES FROM THE BIKES BATTERY.
2. LOCATE A PLACE ON THE BIKE TO MOUNT THE BLACK CONTROL BOX. UNDER THE SEAT OR UNDER A SIDE COVER OR INSIDE THE FAIRING WORKS BEST.
3. USING THE SUPPLIED WIRE TIES STRAP THE CONTROL BOX THROUGH THE TABS TO THE BIKE AS SECURELY AS POSSIBLE.
4. THE FOUR WIRES COMING OUT OF THE LEFT SIDE OF THE CONTROL BOX NEED TO BE CONNECTED TO A POSITIVE WIRE INLINE TO THE LIGHTS ON THE BIKE.
5. USING FOUR OF THE BLUE WIRE SPLICES IN THE KIT SPLICE EACH OF THE FOUR WIRES FROM THE LEFT SIDE OF THE CONTROL BOX TO A BRAKE, RUN, RIGHT, AND LEFT TURN WIRE ON THE BIKE. SEE FIG. 1.
6. USING THE FIFTH BLUE WIRE SPLICE ATTACH THE YELLOW WIRE COMING FROM THE RIGHT SIDE OF THE CONTROL BOX TO A KEYED POWER WIRE ON THE BIKE. SEE FIG. 1.
7. ROUTE THE TWO REMAINING GREEN AND RED WIRES TO THE BATTERY ON THE BIKE. SEE FIG. 1.
8. CUT AND STRIP EACH WIRE AS NEEDED AND CRIMP THE SUPPLIED RING CONNECTORS ON THE ENDS OF THE GREEN AND RED WIRES.
9. USING A HEAT GUN SHRINK THE INSULATION ON EACH RING CONNECTOR.
10. RECONNECT THE POSITIVE CABLE FIRST INCLUDING THE NEW RED WIRE TO THE BATTERY.
11. NEXT RECONNECT THE NEGATIVE CABLE TO THE BATTERY INCLUDING THE NEW GREEN WIRE.

INSTALLING ACCESSORIES:

12. USING A PHILLIPS SCREW DRIVER REMOVE THE FOUR SCREWS FROM THE COVER OF THE CONTROL BOX.
13. USING FIG. 2 AS A GUIDE LEARN WHAT EACH TERMINAL CONNECTOR IS TO BE USED FOR WHEN ATTACHING ACCESSORIES. NOTE: THE CONTROL BOX COVER ALSO HAS A DIAGRAM FOR THE TERMINAL BLOCKS.
14. CONNECT THE POSITIVE WIRES FROM YOUR ACCESSORIES TO THE TERMINALS MARKED (+) IN THE LOCATION YOU WANT.
15. CONNECT THE NEGATIVE WIRE TO ANY OF THE TERMINALS MARKED (-) AS THESE ARE ALL COMMON.
16. REPLACE COVER AND FOUR SCREWS.



FIG. 1

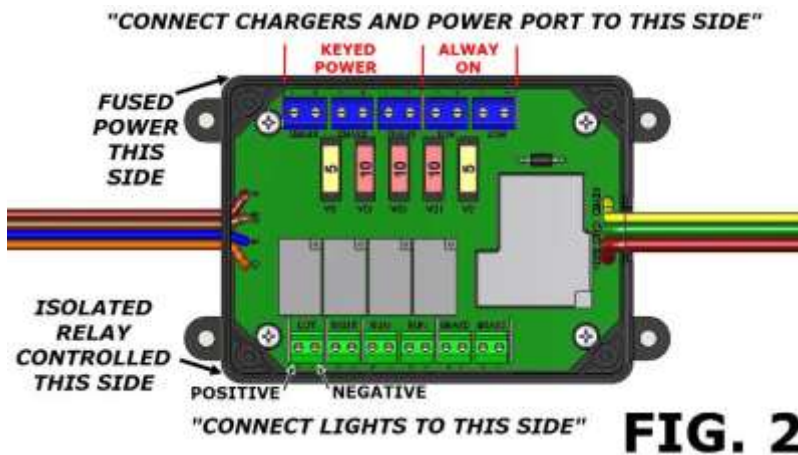


FIG. 2

INSTALLING CONTROLLER ON GOLDWING/ GOLDWING TOUR 2018-NEWER:

EXTRA TOOLS NEEDED – 6MM ALLEN WRENCH

1. OPEN BOTH SADDLEBAGS AND REMOVE THE SIDE COVER FROM EACH SIDE OF THE BIKE (FIG. 3).
2. USE A 6MM ALLEN TO REMOVE THE TWO SEAT BOLTS (FIG. 4 SHOWS LEFT SIDE), UNPLUG THE SEAT HARNESS CONNECTOR ON THE RIGHT SIDE OF THE BIKE (FIG. 5) AND REMOVE THE SEAT BY LIFTING THE FRONT OF THE SEAT AND PULLING FORWARD TOWARDS THE FRONT OF THE BIKE.
3. DISCONNECT BOTH THE POSITIVE AND NEGATIVE CABLES FROM THE BATTERY.
4. PLACE THE ISOLATOR BOX IN THE AREA SHOWN IN FIG. 6.
5. ON THE SIDE OF THE BOX WITH 3 WIRES ROUTE THE RED AND THE GREEN WIRES UNDER THE FRAME AND TO THE TOP OF THE BATTERY.
6. ROUTE THE YELLOW WIRE TOWARD THE REAR OF THE BIKE INSIDE THE FRAME AS SHOWN IN FIG. 6.
7. ROUTE THE 4 WIRES FROM THE OTHER SIDE OF THE BOX TOWARD THE BACK OF THE BIKE AS SHOWN IN FIG. 6. USE SUPPLIED WIRE TIES AS NEEDED TO SECURE THE WIRES.
8. USING A SUPPLIED BLUE WIRE SPLICE ATTACH THE YELLOW WIRE TO THE LIGHT BLUE WIRE ON THE SIX WIRE CONNECTOR SHOWN IN FIG. 7. *NOTE: CUT ALL WIRES TO LENGTH NEEDED BEFORE INSTALLING SPLICES.*
9. USE FIG. 8 TO LOCATE THE LEFT AND THE RIGHT SADDLEBAG CONNECTORS. STARTING WITH THE LEFT SIDE DISCONNECT THE MALE FROM THE FEMALE SADDLEBAG CONNECTOR. THE MALE CONNECTOR WILL BE THE ONE TOWARD THE FRONT OF THE BIKE.
10. USING THE SUPPLIED BLUE SPLICES ATTACH THE ORANGE WIRE FROM THE BOX TO THE ORANGE WIRE ON THE LEFT SADDLEBAG CONNECTOR. SEE FIG. 9.
11. ATTACH THE BROWN WIRE FROM THE BOX TO THE BROWN AND WHITE WIRE ON THE LEFT SADDLEBAG CONNECTOR. SEE FIG. 9.
12. ATTACH THE RED WIRE FROM THE BOX TO THE GREEN AND RED WIRE FROM THE LEFT SADDLEBAG CONNECTOR. SEE FIG. 9.
13. RECONNECT THE LEFT SADDLEBAG CONNECTOR AND GO TO THE RIGHT SADDLEBAG CONNECTOR AND DISCONNECT IT.
14. ATTACH THE BLUE WIRE FROM THE BOX TO THE LIGHT BLUE WIRE ON THE RIGHT SADDLEBAG CONNECTOR. RECONNECT CONNECTOR. SEE FIG. 10.
15. CUT THE RED WIRE YOU ROUTED TO THE BATTERY TO THE DESIRED LENGTH AND CRIMP ONE OF THE SUPPLIED RING TERMINALS ON THE WIRE.
16. REATTACH THE BIKES POSITIVE CABLE AND INCLUDE THE RED WIRE FROM THE BOX.
17. CUT THE GREEN WIRE FROM THE BOX TO THE DESIRED LENGTH AND CRIMP A RING TERMINAL ON THE END OF IT.
18. REATTACH THE NEGATIVE CABLE ON THE BIKE AND INCLUDE THE GREEN WIRE FROM THE BOX.
19. SEE "INSTALLING ACCESSORIES" ABOVE.

